

RANDOM LOW PROFILE

6-INCH CARTON SEALING SOLUTION



**SEALS CARTONS
AS LOW AS 2.5" IN HEIGHT**

WITH 6" SEAL

QUICK HIGHLIGHTS

SEALS UP TO 12 CARTONS PER/MIN.*
*SPEED DEPENDENT ON CARTON SIZE AND MACHINE OPTIONS

- “Soft Touch” Pneumatic System is Gentle on Cartons
- Low Profile Top & Bottom Seal
- Dual Telescoping Masts
- Seals Random Size Cartons Without Stopping for Adjusting

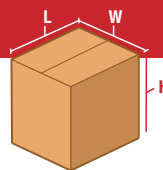
CARTON RANGE

Specifications based on RSL22-6

Length
(min.-max.)
(6.0"-11.0")

Width
(min.-max.)
(9.7"-21.6")

Height
(min.-max.)
(2.5"-20.5")



RSL-6

6-INCH RANDOM SIDEDRIVE LOW PROFILE

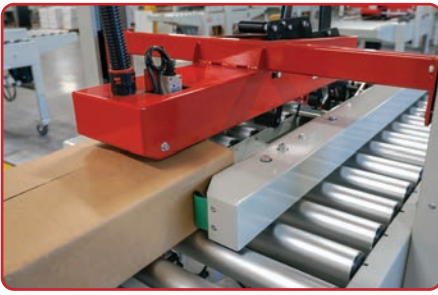
The BestPack RSL-6 is a Semi-Automatic Random Tape Carton Sealer and is the 6" version of our RSL low-profile machine. Built for speed and durability, the RSL's low profile feature allows for the effective sealing of cartons at a minimum height of 2.5". The RSL-6 is perfect for random applications needing extra security, tamper protection, and pilferage prevention, and also effectively seals cartons that are overly heavy, over-filled, or otherwise difficult to keep sealed.



FREE PRODUCT SUPPORT:
TRAINING VIDEOS | ONLINE MANUALS | TECH SUPPORT

*CONTACT YOUR LOCAL BESTPACK REPRESENTATIVE FOR MORE INFORMATION
WWW.BESTPACK.COM

VERSION 5.0_0224



“SOFT TOUCH” PNEUMATIC SYSTEM

Air powered belt drive and sealing section decreases product damage while maintaining presentation.



SIDE BELT DRIVE SYSTEM

Gently pulls product through while reducing less wear & tear on parts.



COMPLETE BED ROLLER SYSTEM

Increase through put while reducing strain on the motor.



6-INCH TAPE HEAD (MOTOR OPTIONAL)

Provides added security, preventing tampering, pilferage, and seals difficult to handle cartons.



OFFSET TAPE HEADS

Enables precise and efficient sealing of low-profile cartons, individually sealing top and bottom of carton.



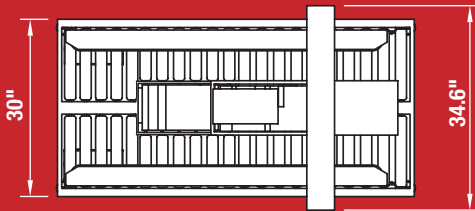
CNC CUT AND WELDED FRAME/LEGS

4x longer lasting than bolted frames.

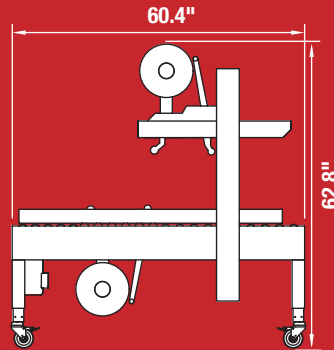
MACHINE FOOTPRINT

Specifications based on RSL22-6

TOP VIEW



SIDE VIEW



Note: Dimensions are all subject to change without prior notification.

OPTIONS

- High-Speed Motor Upgrade (Up to 125 ft. per min)
- Heavy Duty Locking Casters
- Infeed/Exit Conveyors w/L-Bracket Stabilizer
- Interlock Safety Gates
- Available in Stainless Steel
- Motorized Tape Head Upgrade

POPULAR RSL-6 MODELS

PLEASE REFER TO COMPARISON CHART FOR COMPLETE LIST OF MODELS.

MODEL	MACHINE DIMENSIONS LENGTH x WIDTH x HEIGHT	CARTON RANGE* LENGTH (min. - max.) x WIDTH (min. - max.) x HEIGHT (min. - max.)	CONVEYOR HEIGHT HEIGHT (min. - max.)	CARTONS PER MIN.	SHIPPING WEIGHT (LBS)	POWER REQUIREMENTS	AIR REQUIREMENTS
-------	---	--	---	---------------------	--------------------------	-----------------------	---------------------

RSL22-6 6" Tape Head	(60.4") x (34.6") x (62.8")	(6.0" - U) x (9.7" - 21.6") x (2.5" - 20.5")	(20.5" - 30.0")	Up to 12	450	110 Volts 60 Hz	80 PSI, 5 SCFM
-------------------------	-----------------------------	--	-----------------	----------	-----	-----------------	-------------------

INFORMATION SUBJECT TO CHANGE WITHOUT NOTICE.

*OUTSIDE DIMENSIONS ONLY

U - UNLIMITED

ALL MODELS AVAILABLE IN HIGH SPEED & FOOD GRADE 304 STAINLESS STEEL



For more information please go to:
WWW.BESTPACK.COM or call us at **1.888.588.2378**

© 2025 BestPack Packaging Systems. All rights reserved. This document is BestPack Public Information.