



**BESTPACK**



**B&C INDUSTRIES**

# EXPERIENCE THE POWER OF **PRECISION**

**WITH OUR NEW SERVO DRIVEN  
CARTON SEALING SOLUTIONS**

**SERVO** TECHNOLOGY  
FOR PRECISION AND SPEED

## QUICK HIGHLIGHTS

**SEALS UP TO 12 CARTONS PER/MIN.\***  
\*SPEED DEPENDENT ON CARTON SIZE AND MACHINE OPTIONS

- eWon VPN Wifi Module | Remote Connectivity
- Side Belt Drive System with Rollers Behind the Belts for Less Wear and Tear on Parts
- Low Tape/No Tape Monitoring with Alarm Notification
- Jam Detection
- CNC Cut and Welded Frame/Legs for Stronger and More Stable Frame

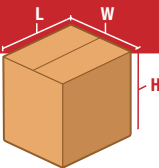
## CARTON RANGE

Specifications based on CSF22-2

Length  
(min.-max.)  
**(8.0"-25.5")**

Width  
(min.-max.)  
**(4.0"-20.0")**

Height  
(min.-max.)  
**(4.0"-20.0")**



## **CSF** FULLY AUTOMATIC RANDOM SERVO CARTON SEALER

The BestPack™ CSF is a Fully Automatic Random Carton Sealer that uses 1 servo motor on the folding section providing precision & accuracy for carton sealing repeatability. Our **complimentary level 1** tech support uses the VPN module in the CSF, to enable our technicians to detect real-time machine issues for timely assistance and optimal performance. The CSF provides the best fully automatic technology at an affordable price.



**FREE PRODUCT SUPPORT:**  
TRAINING VIDEOS | ONLINE MANUALS | TECH SUPPORT

\*CONTACT YOUR LOCAL BESTPACK REPRESENTATIVE FOR MORE INFORMATION  
[WWW.BCPGK.COM](http://WWW.BCPGK.COM)

VERSION 2.0\_1023



### ACCESSIBLE TECHNICAL SUPPORT

Convenient technical support is readily available via a QR code on solution.



### EWON VPN WIFI MODULE

Allows for easy diagnosis for your machine saving you on costly maintenance visits and downtime.



### BESTPACK'S "SOFT TOUCH" SYSTEM

Air powered belt drive and sealing section decreases product damage while maintaining presentation.



### SERVO MOTOR POWERED

Provides precise control of position and speed on the Flap Folding Station.



### UPSTREAM AND DOWNSTREAM CONVEYOR CONTROL

Easily integratable infeed and exit conveyor systems.

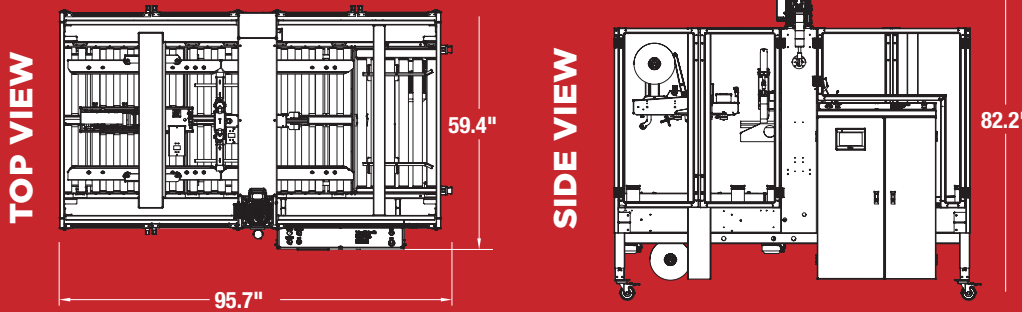


### HMI- HUMAN MACHINE INTERFACE

Operator controls panel that provides reliable data & troubleshooting at your fingertips.

## MACHINE FOOTPRINT

Specifications based on CSF22-2



Note: Dimensions are all subject to change without prior notification.

## OPTIONS

- Available in Stainless Steel
- Bypass Capabilities (Bypassing Folding & Top Sealing)
- Platform to Raise Machine Bed Height to 31" to 37"
- Additional safety options
  - Entry/Exit Gates
  - AB Safety Relay, Dual Channel
  - Interlocks and Dump Valves

## POPULAR CSF MODELS

PLEASE REFER TO COMPARISON CHART FOR COMPLETE LIST OF MODELS.

MODEL	MACHINE DIMENSIONS LENGTH x WIDTH x HEIGHT	CARTON RANGE LENGTH (min. - max.) x WIDTH (min. - max.) x HEIGHT (min. - max.)	POWER REQUIREMENTS	AIR REQUIREMENTS	CARTONS PER MIN.
CSF222L-2H-AO 2" Tape Head	(95.7") x (59.4") x (82.2")	(8.0" - 25.5") x (4.0" - 20.0") x (4.0" - 20.0")	110 Volts 20 AMPS	80 PSI, 9 SCFM	Up to 12
CSF222L-3H-AO 3" Tape Head	(95.7") x (59.4") x (82.2")	(8.0" - 25.5") x (5.0" - 20.0") x (4.0" - 20.0")	110 Volts 20 AMPS	80 PSI, 9 SCFM	Up to 12
CSF222R-2H-AO 2" Tape Head	(95.7") x (59.4") x (82.2")	(8.0" - 25.5") x (4.0" - 20.0") x (4.0" - 20.0")	110 Volts 20 AMPS	80 PSI, 9 SCFM	Up to 12
CSF222R-3H-AO 3" Tape Head	(95.7") x (59.4") x (82.2")	(8.0" - 25.5") x (5.0" - 20.0") x (4.0" - 20.0")	110 Volts 20 AMPS	80 PSI, 9 SCFM	Up to 12

INFORMATION SUBJECT TO CHANGE WITHOUT NOTICE.

ALL MODELS AVAILABLE IN FOOD GRADE 304 STAINLESS STEEL



For more information please go to:  
**WWW.BCPKG.COM** or call us at **718-628-8000**

© 2025 BestPack Packaging Systems. All rights reserved. This document is BestPack Public Information.